

The TOP Shredder

Manual Table Top GS-1

www.cheesegratershredder.net

by: *ReddyMade*

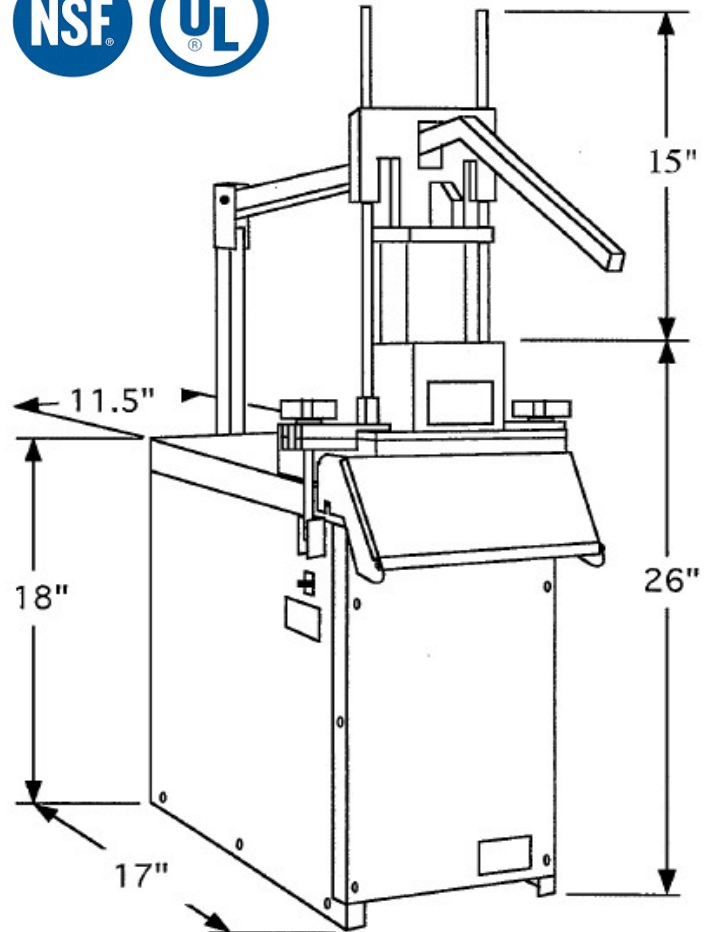
224-230-7958

McHenry, IL 60050

Machine Features:

Table Top Manual Machine

1. Shred 25+ pounds of cheese per minute
2. Machine accepts 8 pound blocks of cheese
3. All stainless steel construction
4. UL & NSF approved
5. No adjustments needed
6. Minimum Maintenance
7. Toll free technical assistance
Call - 224-230-7958



Blade Options:

3/32" - 5/32" - 3/16" - 1/4" - 5/16" - 1/2"

* 1 Blade is included with machine order

Motor Options:

1.5 HP Machine

3 HP Machine

2 HP Machine

5 HP Machine

Machine Warranty:

90 Day Parts & Labor

1 year replacement or repair on motor

2 year replacement on sheet metal and casting parts
(except blades)

Specification*:

Motor Options	Shred/Min	Depth	Width	Height	Weight	Volts	Amps	Phase
1.5 H.P. 60 Hz	25+ lbs.	23.5"	15"	41"	170 lbs.	115	15.2	1
2 H.P. 60 Hz	30+ lbs.	23.5"	15"	41"	170 lbs.	230	10	1
2 H.P. 60 Hz	30+ lbs.	23.5"	15"	41"	170 lbs.	208/230	10/7.2	3
3 H.P. 60 Hz	40+ lbs.	23.5"	15"	41"	190 lbs.	208/230	12/9.2	3
5 H.P. 60 Hz	50+ lbs.	23.5"	15"	42.5"	190 lbs.	208/230	15/13.2	3

Electical Requirements

1.5 HP Motor	115 Volts	20 amp outlet NEMA 5-20R	1 phase
2 H.P. Motor	220 Volts	15 amp outlet NEMA 6-15R	1 phase
2, 3 & 5 H.P. (3 Phase Motors)	208/230 volt	20 amp outlet NEMA L15-20R	3 phase

* Specifications subject to change without notice

The TOP Shredder

by: *ReddyMade*

Manual Floor Model GS-1

224-230-7958

McHenry, IL 60050

www.cheesegratershredder.net

Machine Features:

1. Floor Model Kit can be added to any machine
2. Increase machine mobility
3. All stainless steel construction
4. No adjustments needed
5. Minimum Maintenance
6. Toll free technical assistance
Call - 224-230-7958

Blade Options:

3/32" - 5/32" - 3/16" - 1/4" - 5/16" - 1/2"

* 1 Blade is included with machine order

Motor Options:

1.5 HP Machine	3 HP Machine
2 HP Machine	5 HP Machine

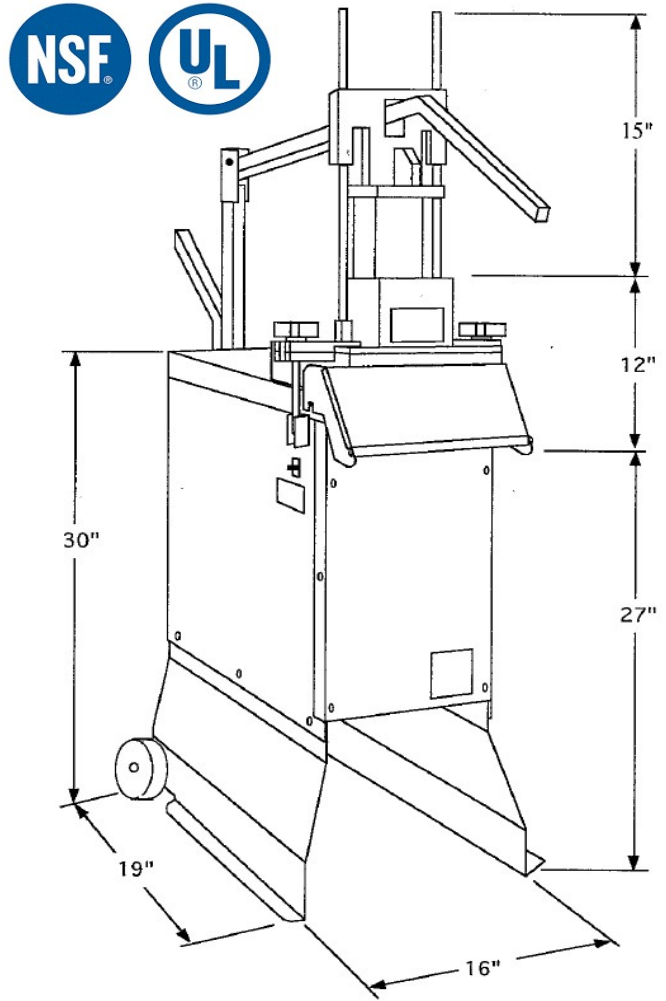
Machine Warranty:

90 Day Parts & Labor

1 year replacement or repair on motor

2 year replacement on sheet metal and casting parts (except blades)

Floor Model Manual Machine



Specification*:

Motor Options	Shred/Min	Depth	Width	Height	Weight	Volts	Amps	Phase
1.5 H.P. 60 Hz	25+ lbs.	23.5"	15"	41"	170 lbs.	115	15.2	1
2 H.P. 60 Hz	30+ lbs.	23.5"	15"	41"	170 lbs.	230	10	1
2 H.P. 60 Hz	30+ lbs.	23.5"	15"	41"	170 lbs.	208/230	10/7.2	3
3 H.P. 60 Hz	40+ lbs.	23.5"	15"	41"	190 lbs.	208/230	12/9.2	3
5 H.P. 60 Hz	50+ lbs.	23.5"	15"	42.5"	190 lbs.	208/230	15/13.2	3

Electical Requirements

2, 3 & 5 H.P. 3 Phase Motors	208/230 volt	20 amp outlet NEMA L15-20R	3 phase
------------------------------	--------------	----------------------------	---------

* Specifications subject to change without notice

The TOP Shredder

by: *ReddyMade*

Semi-Automatic GS-1

224-230-7958

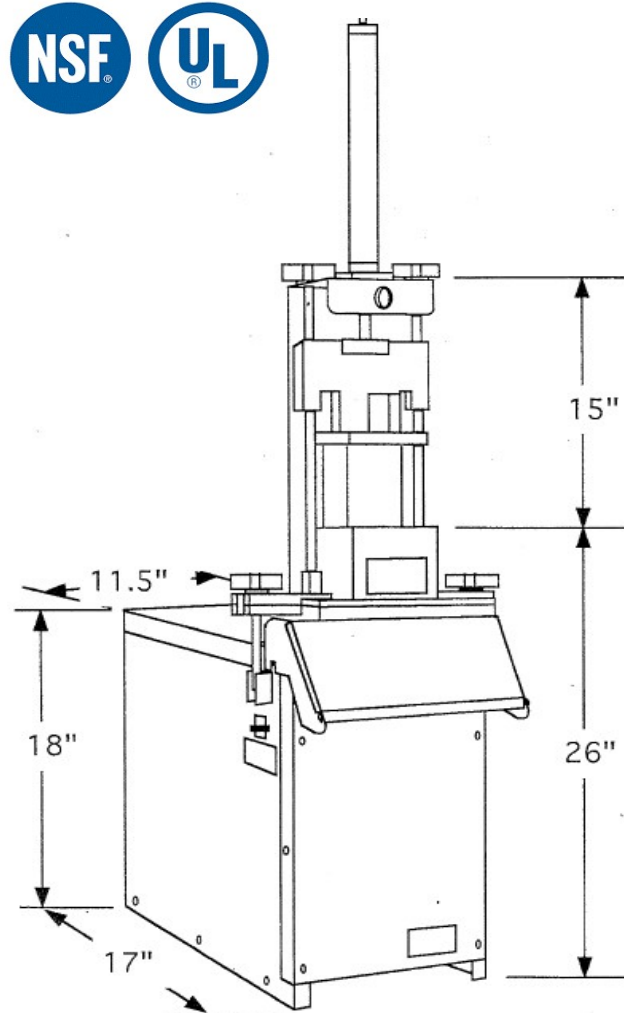
McHenry, IL 60050

www.cheesegratershredder.net

Machine Features:

Table Top Semi-Auto Machine

1. Shred 50+ pounds of cheese per minute
2. Machine accepts 6 pound blocks of cheese
3. Pneumatically operated plunger
(Customer must furnish compressed air)
4. No adjustments needed
5. Minimum Maintenance
6. Toll free technical assistance
Call - 224-230-7958
7. Can be converted to floor model



Blade Options:

3/32" - 5/32" - 3/16" - 1/4" - 5/16" - 1/2"

* 1 Blade is included with machine order

Motor Options:

2 HP Machine 3 HP Machine
5 HP Machine

Machine Warranty:

90 Day Parts & Labor

1 year replacement or repair on motor

2 year replacement on sheet metal and casting parts
(except blades)

Specification*:

Motor Options	Shred/Min	Depth	Width	Height	Weight	Volts	Amps	Phase
2 H.P. 60 Hz	35+ lbs.	23.5"	15"	41"	190 lbs.	230	10/7.2	3
3 H.P. 60 Hz	45+ lbs.	23.5"	15"	41"	190 lbs.	208/230	12/9.2	3
5 H.P. 60 Hz	50+ lbs.	23.5"	15"	42.5"	210 lbs.	208/230	15/13.2	3
Air Drive Unit	Air Usage - 2 cfm/70 PSI		8.5"	38"	20 lbs.			

Electical Requirements

2, 3 & 5 H.P. 3 Phase Motors 208/230 volt 20 amp outlet NEMA L15-20R 3 phase

* Specifications subject to change without notice